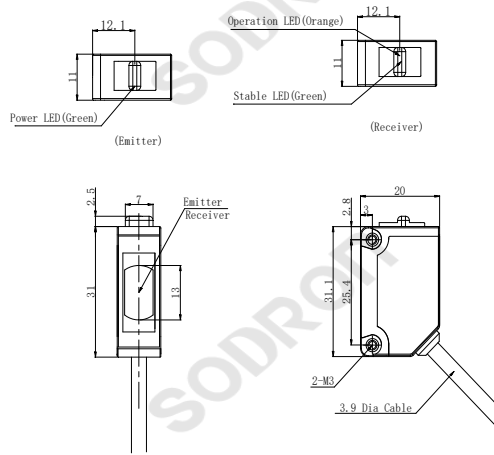




Dimensions



Model

Technical parameters

PF31-T10BNOR(E)
 PF31-T10BNCR(E)
 PF31-T10BPOR(E)
 PF31-T10BPCR(E)

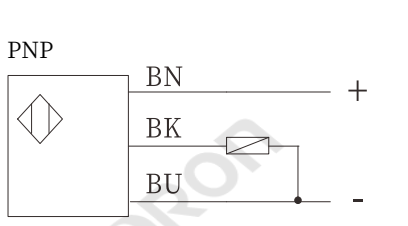
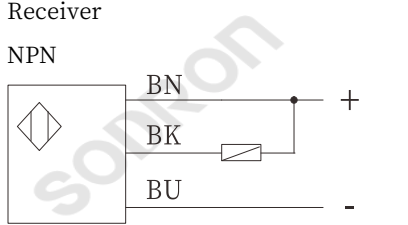
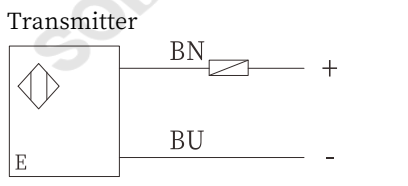
Detection method	Through beam		
Model	NPN PNP	PF31-T10BNOR(E) PF31-T10BPOR(E)	PF31-T10BNCR(E) PF31-T10BPCR(E)
Sensing distance	10m		
Standard target	> Φ15mm (Opaque object)		
Output mode	Dark ON		Light ON

Product Features

Light source	660nm Red LED		
Supply power	DC 12 ~ 24V ±10% , impulse (P-P) < 10%		
Directivity angle	3~15°		
Residual voltage	< 2V (Load Current: ≤100mA)		

Connection

Current consumption	< 20mA		
Load current	≤100mA		
Circuit protection	Power reverse indirection connection protection, short-circuit protection		
Response time	< 1ms		
Indicator light	Output LED: Orange LED、Power/stable: Green LED		



Connection	Cable 2m		
Ambient temperature	Work: -25 ~ +55°C; Store: -30 ~ +70°C ((No dew condensation or icing allowed)		
Ambient humidity	Work: 35 ~ 85%RH, Store: 35 ~ 95%RH, (No dew condensation)		
Ambient illumination	Sunlight :10,000Lx, lamplight:3,000Lx		
Withstand voltage	1000 VAC, 50/60 Hz, 1 min.		
Insulation resistance	> 20MΩ (DC500V megger) between current-carrying parts and case		
Anti-vibration	10~55Hz double-amplitude 1.5mmX,Y,Z 2h		
Impact resistance	500m/s ² X,Y,Z , directions for 3 times		
Protection degree	IEC IP67		
Material	Housing	PBT	
	Lens	PMMA	